



JOSEPHINE . MODULAR SOFA

Channelling the aesthetic of the Art Deco movement, the Josephine Modular Sofa features a wonderfully elegant fan-shaped motif, with its accentuated curvy lines with decadent and lavish finish. The feminine curves are ravishingly enhanced by the different coloured toned piping.

AS PICTURED

Upholstery: Cotton Velvet, ref. Chocolate, CV05.

Piping: Wild Silk, ref. Honey, WS05.

PRODUCT OPTIONS

Upholstery: Available in all Munna fabrics except Wild Silk; or in client's own material.

Piping: Available in all Munna fabrics; or in client's own material.

STRUCTURE FEATURES

Frame in solid wood.

Upholstery with straps.

Foam in 100% PU with BS standard fire specifications.

Foam in American Standard CAL 117 for the USA.

Fire retardant interlining is available on request.

Handmade in Porto.

CLIENT'S OWN MATERIAL (COM) REQUIREMENTS

FABRIC:

29 m | 1141,7"

If piping colour is different from the body colour:

Body: 29 m | 1141,7"

Piping: 6 m | 236,2"

Based on plain fabric, standard width 1,40 m | 55"

LEATHER:

Body: 480 square feet

Piping: 120 square feet

DIMENSIONS

W: 300 cm | 118,1"

D: 210 cm | 82,7"

H: 83 cm | 32,7"

SH: 42 cm | 16,5"

SD: 55 cm | 21,7"

AH: 58 cm | 22,8"

Suitable for customization.

WEIGHT

121 kg | 266,8 lbs

VOLUME

5,23 m³ | 184,7 ft³

Packed (in reinforced carton case)

155 kg | 341,7 lbs

3,98 m³ | 140,6 ft³

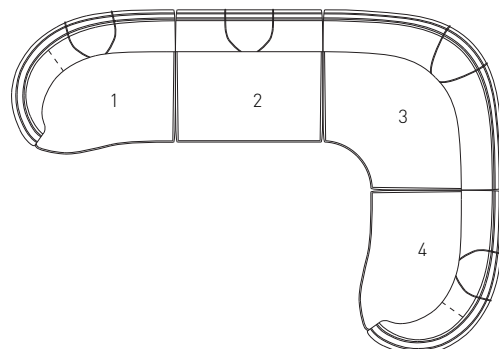
COMPOSITION

Module 1: 1 unit

Module 2: 1 unit

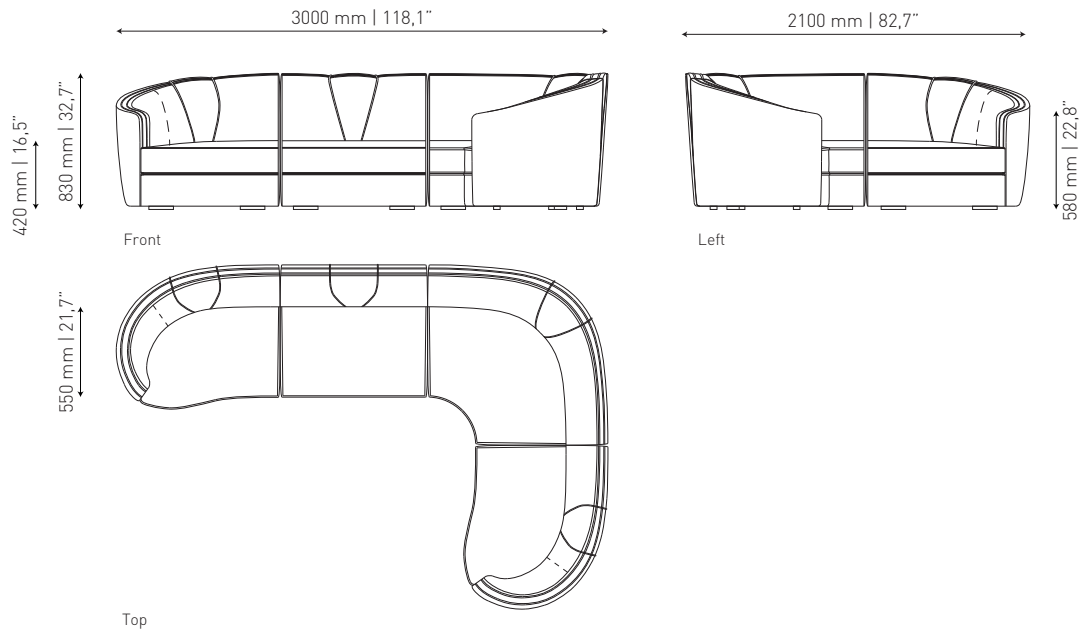
Module 3: 1 unit

Module 4: 1 unit



Legend:
1 - Module 1
2 - Module 2
3 - Module 3
4 - Module 4

COMPOSITION 01 - JOSEPHINE 300 MODULAR SOFA



COMPOSITION:

Module 1
Module 2
Module 3
Module 4

DIMENSIONS:

W: 300 cm | 118,1"
D: 210 cm | 82,7"
H: 83 cm | 32,7"
SH: 42 cm | 16,5"

WEIGHT

121 kg | 266,8 lbs

VOLUME

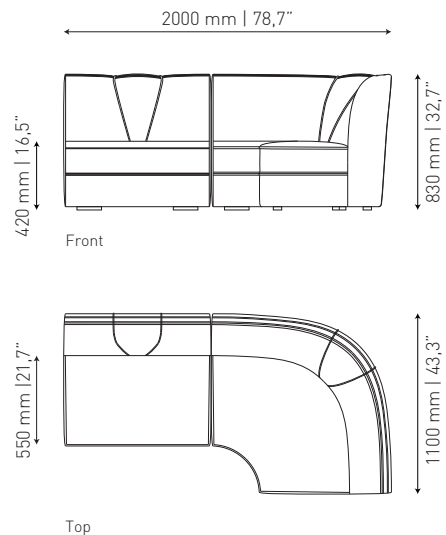
5,23 m³ | 184,7 ft³

Packed (in 4 reinforced carton case)

155 kg | 341,7 lbs

3,98 m³ | 140,6 ft³

COMPOSITION 02 - JOSEPHINE 200 MODULAR SOFA



COMPOSITION:

Module 2
Module 3

DIMENSIONS:

W: 200 cm | 78,7"
D: 110 cm | 43,3"
H: 83 cm | 32,7"
SH: 42 cm | 16,5"

CLIENT'S OWN MATERIAL (COM) REQUIREMENTS

FABRIC:

15 m | 1141,7"

If piping colour is different from the body colour:

Body: 15 m | 1141,7"

Piping: 3 m | 236,2"

Based on plain fabric, standard width 1,40 m | 55"

LEATHER:

Body: 270 square feet

Piping: 60 square feet

WEIGHT

63 kg | 138,9 lbs

VOLUME

1,83 m³ | 64,6 ft³

Packed (in 2 reinforced carton case)

81 kg | 178,6 lbs

2,10 m³ | 74,2 ft³

COMPOSITION 03 - JOSEPHINE 210 MODULAR SOFA



COMPOSITION:

Module 1
Module 3
Module 4

DIMENSIONS:

W: 210 cm | 82,7"
D: 210 cm | 82,7"
H: 83 cm | 32,7"
SH: 42 cm | 16,5"

CLIENT'S OWN MATERIAL (COM) REQUIREMENTS

FABRIC:

23 m | 1141,7"

If piping colour is different from the body colour:

Body: 20 m | 1141,7"

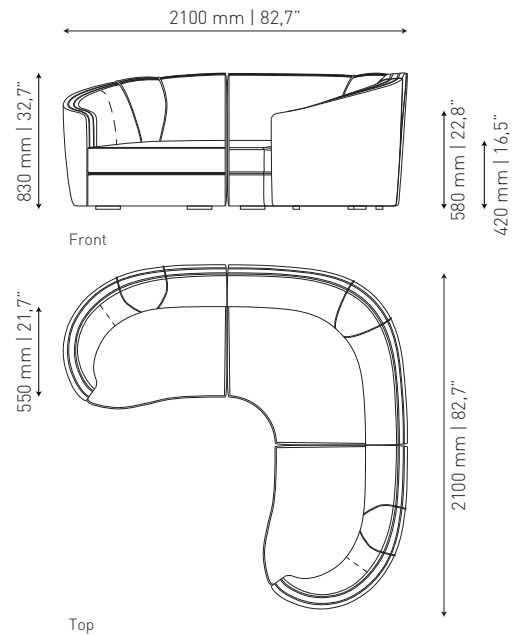
Piping: 5 m | 236,2"

Based on plain fabric, standard width 1,40 m | 55"

LEATHER:

Body: 400 square feet

Piping: 70 square feet



WEIGHT

93 kg | 205 lbs

VOLUME

3,66 m³ | 129,3 ft³

Packed (in 3 reinforced carton case)

119 kg | 262,4 lbs

3,19 m³ | 112,7 ft³

COMPOSITION 04 - JOSEPHINE 290 MODULAR SOFA



COMPOSITION:

Module 1
Module 2
Module 4

DIMENSIONS:

W: 290 cm | 114,2"
D: 88 cm | 34,6"
H: 83 cm | 32,7"
SH: 42 cm | 16,5"

CLIENT'S OWN MATERIAL (COM) REQUIREMENTS

FABRIC:

20 m | 1141,7"

If piping colour is different from the body colour:

Body: 20 m | 1141,7"

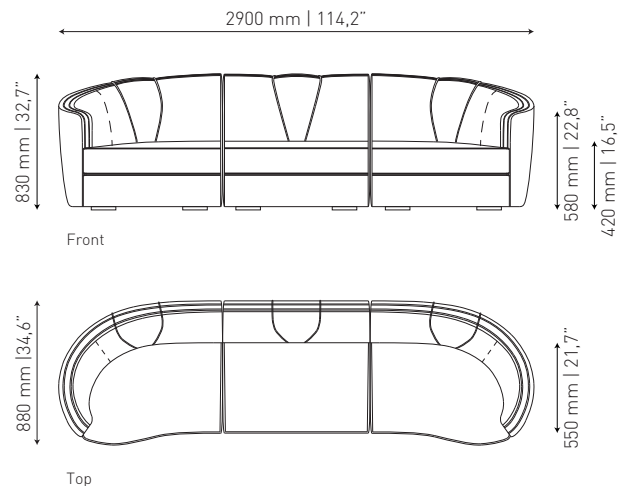
Piping: 5 m | 236,2"

Based on plain fabric, standard width 1,40 m | 55"

LEATHER:

Body: 320 square feet

Piping: 70 square feet



WEIGHT

86 kg | 189,6 lbs

VOLUME

2,12 m³ | 74,9 ft³

Packed (in 3 reinforced carton case)

110 kg | 242,5 lbs

2,67 m³ | 94,3 ft³



JOSEPHINE . MODULE 1

Channelling the aesthetic of the Art Deco movement, the Josephine Armchair features a wonderfully elegant fan-shaped motif, with its accentuated curvy lines with decadent and lavish finish. The feminine curves are ravishingly enhanced by the different coloured toned piping.

AS PICTURED

Upholstery: Cotton Velvet, ref. Chocolate, CV05.

Piping: Wild Silk, ref. Honey, WS05.

PRODUCT OPTIONS

Upholstery: Available in all Munna fabrics except Wild Silk; or in client's own material.

Piping: Available in all Munna fabrics; or in client's own material.

STRUCTURE FEATURES

Frame in solid wood.

Upholstery with straps.

Foam in 100% PU with BS standard fire specifications.

Foam in American Standard CAL 117 for the USA.

Fire retardant interlining is available on request.

Handmade in Porto.

CLIENT'S OWN MATERIAL (COM) REQUIREMENTS

FABRIC:

8 m | 315"

If piping colour is different from the body colour:

Body: 8 m | 315"

Piping: 2,5 m | 98,4"

Based on plain fabric, standard width 1,40 m | 55"

LEATHER:

Body: 140 square feet

Piping: 50 square feet

DIMENSIONS

W: 100 cm | 39,4"

D: 88 cm | 34,6"

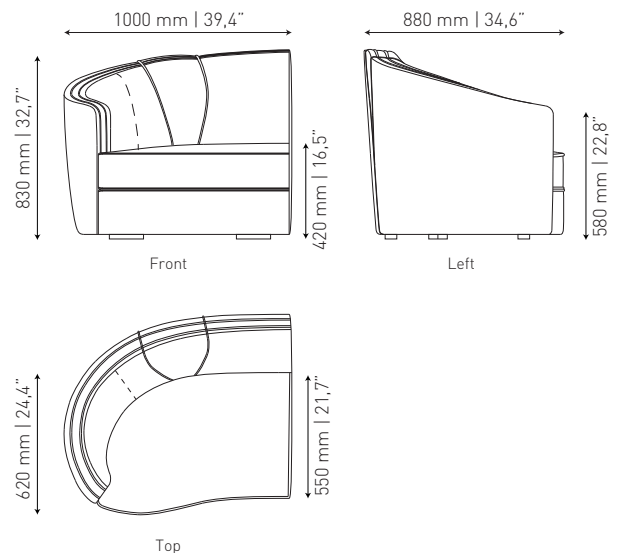
H: 83 cm | 32,7"

SH: 42 cm | 16,5"

SD: 62 cm | 24,4"

AH: 58 cm | 22,8"

Suitable for customization.



WEIGHT

29 kg | 63,9 lbs

VOLUME

0,73 m³ | 25,6 ft³

Packed (in reinforced carton case)

37 kg | 81,6 lbs

0,94 m³ | 33,2 ft³



JOSEPHINE . MODULE 2

Channelling the aesthetic of the Art Deco movement, the Josephine Armchair features a wonderfully elegant fan-shaped motif, with its accentuated curvy lines with decadent and lavish finish. The feminine curves are ravishingly enhanced by the different coloured toned piping.

DIMENSIONS

W: 90 cm | 35,4"
D: 81 cm | 34,9"
H: 83 cm | 32,7"
SH: 42 cm | 16,5"
SD: 55 cm | 21,7"

AS PICTURED

Upholstery: Cotton Velvet, ref. Chocolate, CV05.

Piping: Wild Silk, ref. Honey, WS05.

PRODUCT OPTIONS

Upholstery: Available in all Munna fabrics except Wild Silk; or in client's own material.

Piping: Available in all Munna fabrics; or in client's own material.

STRUCTURE FEATURES

Frame in solid wood.

Upholstery with straps.

Foam in 100% PU with BS standard fire specifications.

Foam in American Standard CAL 117 for the USA.

Fire retardant interlining is available on request.

Handmade in Porto.

CLIENT'S OWN MATERIAL (COM) REQUIREMENTS

FABRIC:

6 m | 236,2"

If piping colour is different from the body colour:

Body: 6 m | 236,2"

Piping: 2 m | 78,7"

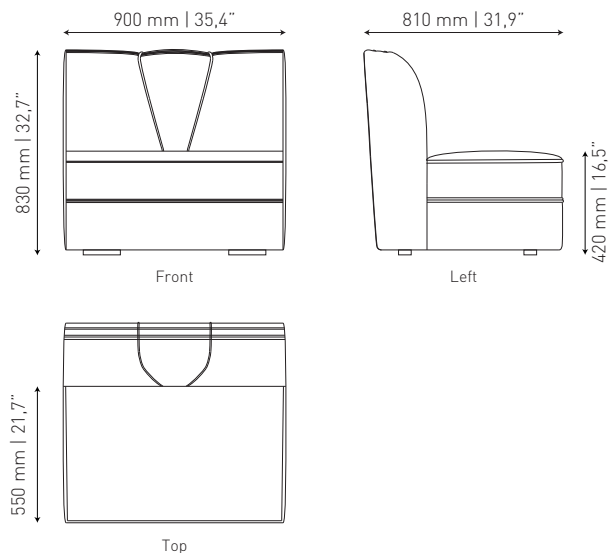
Based on plain fabric, standard width 1,40 m | 55"

LEATHER:

Body: 100 square feet

Piping: 40 square feet

Suitable for customization.



WEIGHT

28 kg | 61,7 lbs

VOLUME

0,61 m³ | 21,5 ft³

Packed (in reinforced carton case)

36 kg | 79,4 lbs

0,79 m³ | 27,9 ft³



JOSEPHINE . MODULE 3

Channelling the aesthetic of the Art Deco movement, the Josephine Armchair features a wonderfully elegant fan-shaped motif, with its accentuated curvy lines with decadent and lavish finish. The feminine curves are ravishingly enhanced by the different coloured toned piping.

DIMENSIONS

W: 110 cm | 43,3"
D: 110 cm | 43,3"
H: 83 cm | 32,3"
SH: 42 cm | 16,5"
SD: 55 cm | 21,7"

AS PICTURED

Upholstery: Cotton Velvet, ref. Chocolate, CV05.
Piping: Wild Silk, ref. Honey, WS05.

PRODUCT OPTIONS

Upholstery: Available in all Munna fabrics except Wild Silk; or in client's own material.
Piping: Available in all Munna fabrics; or in client's own material.

STRUCTURE FEATURES

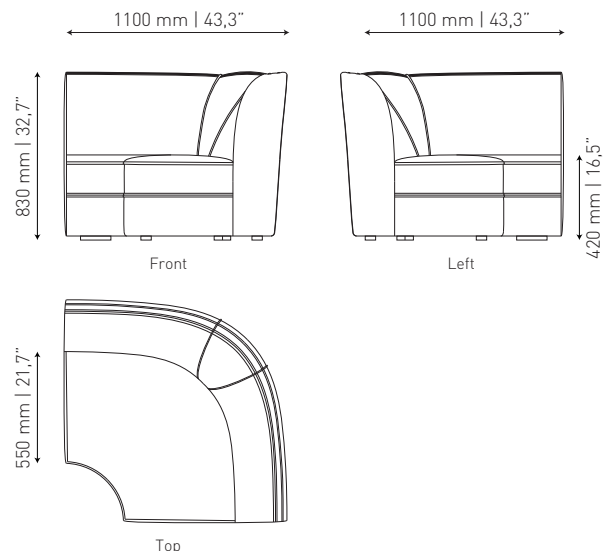
Frame in solid wood.
Upholstery with straps.
Foam in 100% PU with BS standard fire specifications.
Foam in American Standard CAL 117 for the USA.
Fire retardant interlining is available on request.
Handmade in Porto.

CLIENT'S OWN MATERIAL (COM) REQUIREMENTS

FABRIC:
10 m | 393,7"
If piping colour is different from the body colour:
Body: 10 m | 393,7"
Piping: 3 m | 118,1"
Based on plain fabric, standard width 1,40 m | 55"

LEATHER:
Body: 200 square feet
Piping: 60 square feet

Suitable for customization.



WEIGHT

35 kg | 77,2 lbs

VOLUME

1,00 m³ | 35,3 ft³

Packed (in reinforced carton case)

45 kg | 99,2 lbs

1,31 m³ | 46,3 ft³



JOSEPHINE . MODULE 4

Channelling the aesthetic of the Art Deco movement, the Josephine Armchair features a wonderfully elegant fan-shaped motif, with its accentuated curvy lines with decadent and lavish finish. The feminine curves are ravishingly enhanced by the different coloured toned piping.

AS PICTURED

Upholstery: Cotton Velvet, ref. Chocolate, CV05.

Piping: Wild Silk, ref. Honey, WS05.

PRODUCT OPTIONS

Upholstery: Available in all Munna fabrics except Wild Silk; or in client's own material.

Piping: Available in all Munna fabrics; or in client's own material.

STRUCTURE FEATURES

Frame in solid wood.

Upholstery with straps.

Foam in 100% PU with BS standard fire specifications.

Foam in American Standard CAL 117 for the USA.

Fire retardant interlining is available on request.

Handmade in Porto.

CLIENT'S OWN MATERIAL (COM) REQUIREMENTS

FABRIC:

8 m | 315"

If piping colour is different from the body colour:

Body: 8 m | 315"

Piping: 2,5 m | 98,4"

Based on plain fabric, standard width 1,40 m | 55"

LEATHER:

Body: 140 square feet

Piping: 50 square feet

DIMENSIONS

W: 100 cm | 39,4"

D: 88 cm | 34,6"

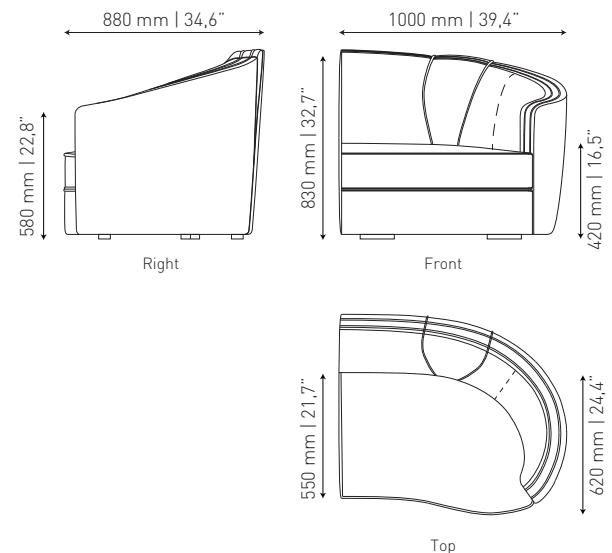
H: 83 cm | 32,7"

SH: 42 cm | 16,5"

SD: 62 cm | 24,4"

AH: 58 cm | 22,8"

Suitable for customization.



WEIGHT

29 kg | 63,9 lbs

VOLUME

0,73 m³ | 25,6 ft³

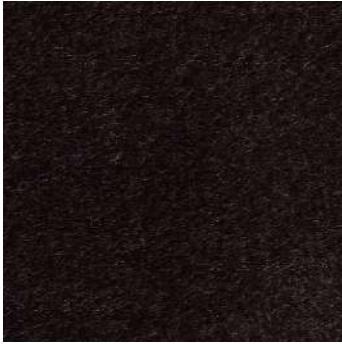
Packed (in reinforced carton case)

37 kg | 81,6 lbs

0,94 m³ | 33,2 ft³

FABRICS

Cotton Velvet
100% Cotton . Martindale 40.000



Chocolate



Pale Pink



Camel



Blue Grey



Teal



Emerald



Buttermilk



Saffron



Red Casino



Lilac



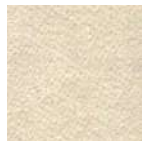
Amethyst

more colours available

Trevira Velvet
100% Trevira CS . Martindale 50.000



Desert



Magnolia



Chocolate



Steel Blue



Teal



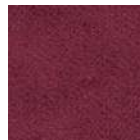
Moss



Emerald



Lime



Dark Red



Pale Pink



Antracite

more colours available

Twill FR
53,7% AC + 46,3% PL . Martindale 25.000



Sky



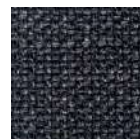
Magnolia



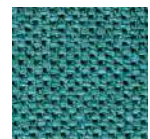
Desert



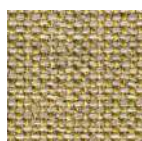
Taupe



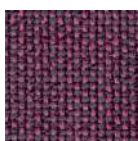
Black



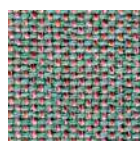
Teal



Lime



Raspberry



Lilac Green



Silver

FABRICS

Bond Chenille
100% Poliester . Martindale 100.000



Snow



Antracite



Blue Grey



Chilli Pepper



Mustard

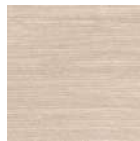


Emerald

Vivid Chenille
54% PL + 42% AC + 4% VI . Martindale 60.000



Saffron



Pure White



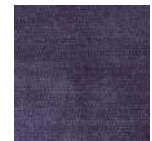
Warm Grey



Light Grey



Cloud



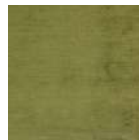
Amethyst



Navy



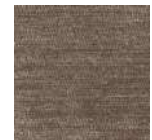
Emerald



Moss



Tangerine Tango



Taupe

more colours available

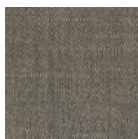
Cotton Satin
68% PL + 32% CO . Martindale 40.000



Milkshake Pink



Desert



Warm Grey



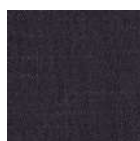
Silver



Basalt



Antracite



Lavender



Aquamarine



Mustard



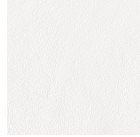
Emerald

FABRICS

Leather
100% Leather . Dry/wet friction 50.000 cycles



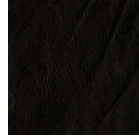
Dark Ruby



Milk



Stone



Black



Burgundy



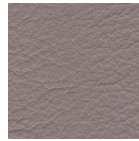
Asphalt



Hazelnut



Pale Green



Lavender



Light Grey

Classic Leather
100% Leather . Dry/wet friction 50.000 cycles



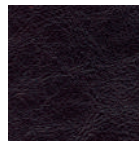
Sand



Cream



Dark Ruby

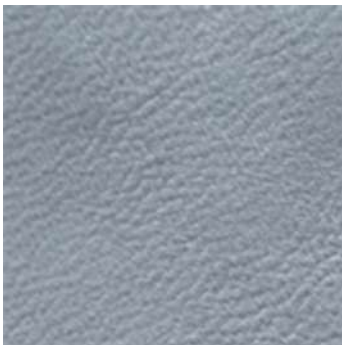


Burgundy



Black

Nubuck
100% Leather . Dry/wet friction 100/25 cycles



Sky



Desert



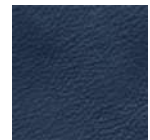
Taupe



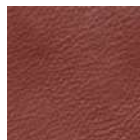
Antracite



Light Grey



Steel Blue



Burgundy

FABRICS

Bouclé
100% Polyethylene . Martindale 80.000



Sugar



Snow



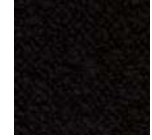
Desert



Light Grey



Antracite



Black

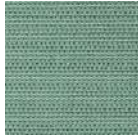
Wild Silk
90% VI + 10% SI . Martindale 25.000



Honey



Bronze



Aquamarine



Magnolia



Silver