



JOSEPHINE . MODULAR SOFA

Channelling the aesthetic of the Art Deco movement, the Josephine Modular Sofa features a wonderfully elegant fan-shaped motif, with its accentuated curvy lines with decadent and lavish finish. The feminine curves are ravishingly enhanced by the different coloured toned piping.

AS PICTURED

Upholstery: Cotton Velvet, ref. Chocolate, CV05.

Piping: Wild Silk, ref. Honey, WS05.

PRODUCT OPTIONS

Upholstery: Available in all Munna fabrics except Wild Silk; or in client's own material.

Piping: Available in all Munna fabrics; or in client's own material.

STRUCTURE FEATURES

Frame in solid wood.

Upholstery with straps.

Foam in 100% PU with BS standard fire specifications.

Foam in American Standard CAL 117 for the USA.

Fire retardant interlining is available on request.

Handmade in Porto.

DIMENSIONS

W: 300 cm | 118,1"

D: 210 cm | 82,7"

H: 83 cm | 32,7"

SH: 42 cm | 16,5"

SD: 55 cm | 21,7"

AH: 58 cm | 22,8"

Suitable for customization.

WEIGHT

121 kg | 266,8 lbs

Packed (in reinforced carton case)

155 kg | 341,7 lbs

VOLUME

5,23 m³ | 184,7 ft³

3,98 m³ | 140,6 ft³

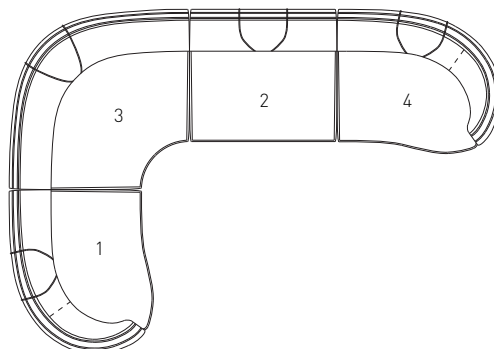
COMPOSITION

Module 1: 1 unit

Module 2: 1 unit

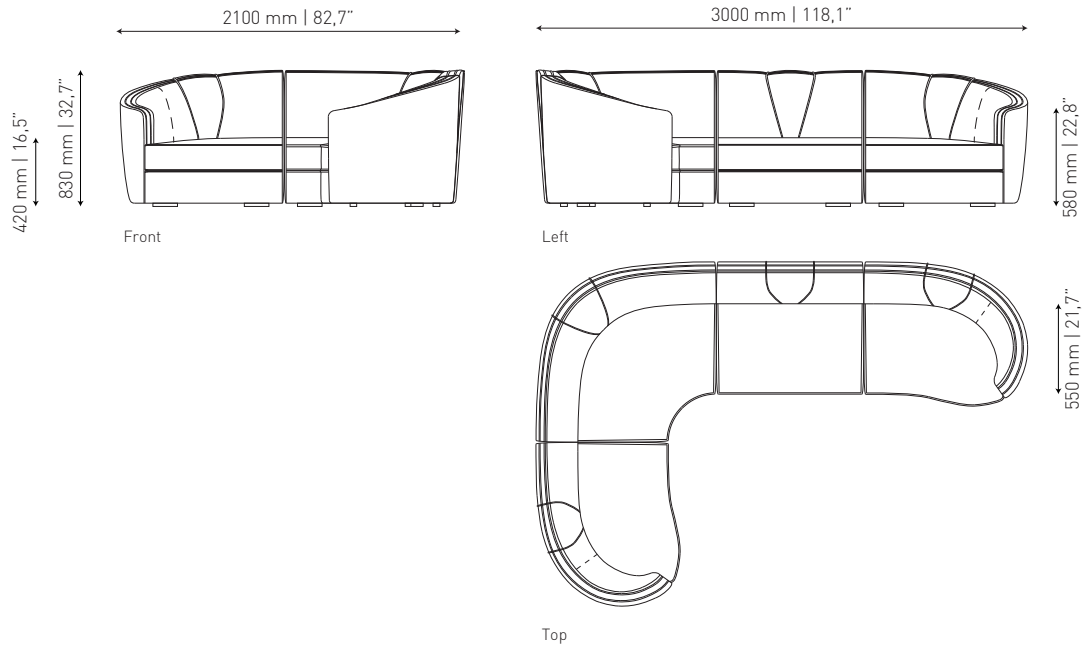
Module 3: 1 unit

Module 4: 1 unit



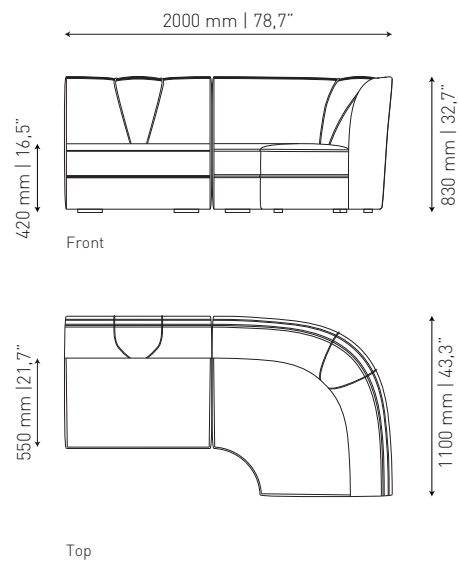
Legend:
1 - Module 1
2 - Module 2
3 - Module 3
4 - Module 4

COMPOSITION 01



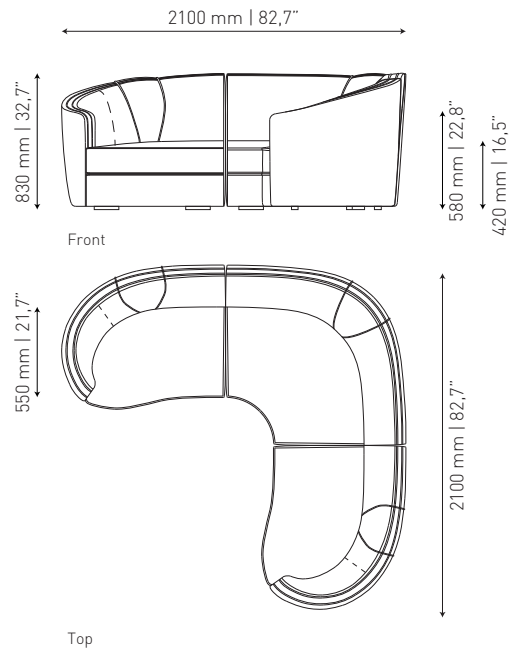
COMPOSITION:	DIMENSIONS:
Module 1	W: 300 cm 118,1"
Module 3	D: 210 cm 82,7"
Module 2	H: 83 cm 32,7"
Module 4	SH: 42 cm 16,5"

COMPOSITION 02



COMPOSITION:	DIMENSIONS:
Module 2	W: 200 cm 78,7"
Module 3	D: 110 cm 43,3"
	H: 83 cm 32,7"
	SH: 42 cm 16,5"

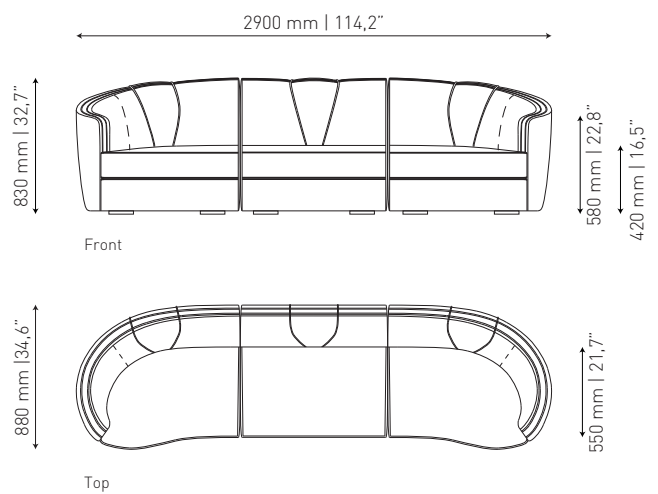
COMPOSITION 03



COMPOSITION:
Module 1
Module 3
Module 4

DIMENSIONS:
W: 210 cm | 82,7"
D: 210 cm | 82,7"
H: 83 cm | 32,7"
SH: 42 cm | 16,5"

COMPOSITION 04



COMPOSITION:
Module 1
Module 2
Module 4

DIMENSIONS:
W: 290 cm | 114,2"
D: 88 cm | 34,6"
H: 83 cm | 32,7"
SH: 42 cm | 16,5"



JOSEPHINE . MODULE 1

Channelling the aesthetic of the Art Deco movement, the Josephine Armchair features a wonderfully elegant fan-shaped motif, with its accentuated curvy lines with decadent and lavish finish. The feminine curves are ravishingly enhanced by the different coloured toned piping.

AS PICTURED

Upholstery: Cotton Velvet, ref. Chocolate, CV05.

Piping: Wild Silk, ref. Honey, WS05.

PRODUCT OPTIONS

Upholstery: Available in all Munna fabrics except Wild Silk; or in client's own material.

Piping: Available in all Munna fabrics; or in client's own material.

STRUCTURE FEATURES

Frame in solid wood.

Upholstery with straps.

Foam in 100% PU with BS standard fire specifications.

Foam in American Standard CAL 117 for the USA.

Fire retardant interlining is available on request.

Handmade in Porto.

CLIENT'S OWN MATERIAL (COM) REQUIREMENTS

FABRIC:

8 m | 315"

If piping colour is different from the body colour:

Body: 8 m | 315"

Piping: 2,5 m | 98,4"

Based on plain fabric, standard width 1,40 m | 55"

LEATHER:

Body: 140 square feet

Piping: 50 square feet

DIMENSIONS

W: 100 cm | 39,4"

D: 88 cm | 34,6"

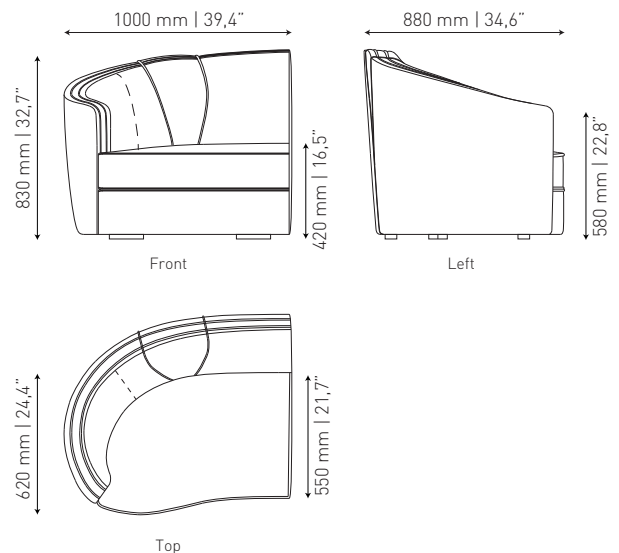
H: 83 cm | 32,7"

SH: 42 cm | 16,5"

SD: 62 cm | 24,4"

AH: 58 cm | 22,8"

Suitable for customization.



WEIGHT

29 kg | 63,9 lbs

VOLUME

0,73 m³ | 25,6 ft³

Packed (in reinforced carton case)

37 kg | 81,6 lbs

0,94 m³ | 33,2 ft³



JOSEPHINE . MODULE 2

Channelling the aesthetic of the Art Deco movement, the Josephine Armchair features a wonderfully elegant fan-shaped motif, with its accentuated curvy lines with decadent and lavish finish. The feminine curves are ravishingly enhanced by the different coloured toned piping.

AS PICTURED

Upholstery: Cotton Velvet, ref. Chocolate, CV05.

Piping: Wild Silk, ref. Honey, WS05.

PRODUCT OPTIONS

Upholstery: Available in all Munna fabrics except Wild Silk; or in client's own material.

Piping: Available in all Munna fabrics; or in client's own material.

STRUCTURE FEATURES

Frame in solid wood.

Upholstery with straps.

Foam in 100% PU with BS standard fire specifications.

Foam in American Standard CAL 117 for the USA.

Fire retardant interlining is available on request.

Handmade in Porto.

CLIENT'S OWN MATERIAL (COM) REQUIREMENTS

FABRIC:

6 m | 236,2"

If piping colour is different from the body colour:

Body: 6 m | 236,2"

Piping: 2 m | 78,7"

Based on plain fabric, standard width 1,40 m | 55"

LEATHER:

Body: 100 square feet

Piping: 40 square feet

DIMENSIONS

W: 90 cm | 35,4"

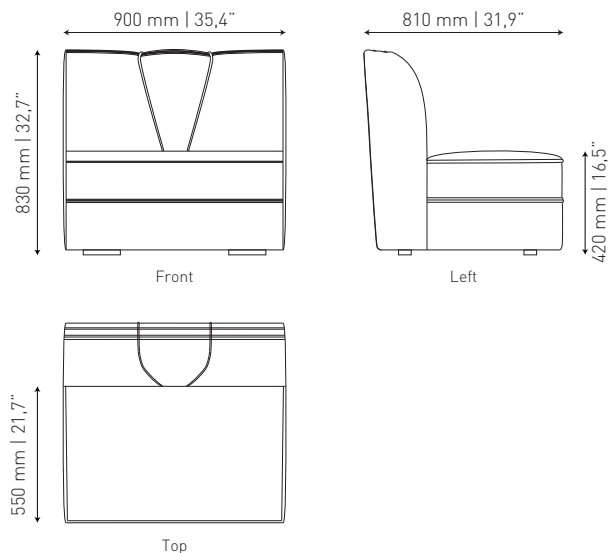
D: 81 cm | 34,9"

H: 83 cm | 32,7"

SH: 42 cm | 16,5"

SD: 55 cm | 21,7"

Suitable for customization.



WEIGHT

28 kg | 61,7 lbs

VOLUME

0,61 m³ | 21,5 ft³

Packed (in reinforced carton case)

36 kg | 79,4 lbs

0,79 m³ | 27,9 ft³



JOSEPHINE . MODULE 3

Channelling the aesthetic of the Art Deco movement, the Josephine Armchair features a wonderfully elegant fan-shaped motif, with its accentuated curvy lines with decadent and lavish finish. The feminine curves are ravishingly enhanced by the different coloured toned piping.

AS PICTURED

Upholstery: Cotton Velvet, ref. Chocolate, CV05.

Piping: Wild Silk, ref. Honey, WS05.

PRODUCT OPTIONS

Upholstery: Available in all Munna fabrics except Wild Silk; or in client's own material.

Piping: Available in all Munna fabrics; or in client's own material.

STRUCTURE FEATURES

Frame in solid wood.

Upholstery with straps.

Foam in 100% PU with BS standard fire specifications.

Foam in American Standard CAL 117 for the USA.

Fire retardant interlining is available on request.

Handmade in Porto.

CLIENT'S OWN MATERIAL (COM) REQUIREMENTS

FABRIC:

10 m | 393,7"

If piping colour is different from the body colour:

Body: 10 m | 393,7"

Piping: 3 m | 118,1"

Based on plain fabric, standard width 1,40 m | 55"

LEATHER:

Body: 200 square feet

Piping: 60 square feet

DIMENSIONS

W: 110 cm | 43,3"

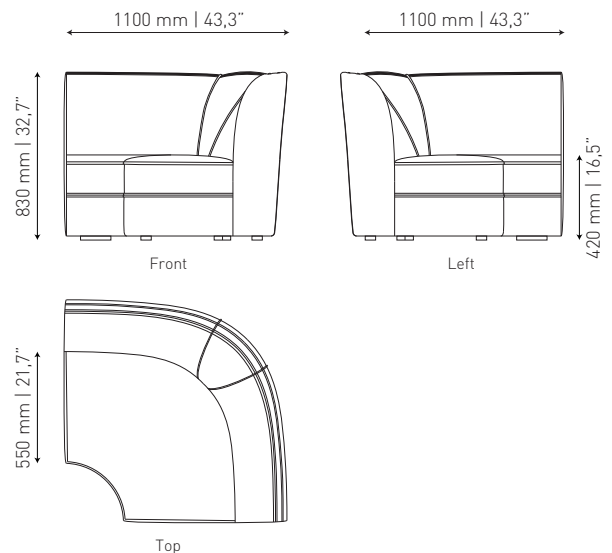
D: 110 cm | 43,3"

H: 83 cm | 32,3"

SH: 42 cm | 16,5"

SD: 55 cm | 21,7"

Suitable for customization.



WEIGHT

35 kg | 77,2 lbs

VOLUME

1,00 m³ | 35,3 ft³

Packed (in reinforced carton case)

45 kg | 99,2 lbs

1,31 m³ | 46,3 ft³



JOSEPHINE . MODULE 4

Channelling the aesthetic of the Art Deco movement, the Josephine Armchair features a wonderfully elegant fan-shaped motif, with its accentuated curvy lines with decadent and lavish finish. The feminine curves are ravishingly enhanced by the different coloured toned piping.

AS PICTURED

Upholstery: Cotton Velvet, ref. Chocolate, CV05.

Piping: Wild Silk, ref. Honey, WS05.

PRODUCT OPTIONS

Upholstery: Available in all Munna fabrics except Wild Silk; or in client's own material.

Piping: Available in all Munna fabrics; or in client's own material.

STRUCTURE FEATURES

Frame in solid wood.

Upholstery with straps.

Foam in 100% PU with BS standard fire specifications.

Foam in American Standard CAL 117 for the USA.

Fire retardant interlining is available on request.

Handmade in Porto.

CLIENT'S OWN MATERIAL (COM) REQUIREMENTS

FABRIC:

8 m | 315"

If piping colour is different from the body colour:

Body: 8 m | 315"

Piping: 2,5 m | 98,4"

Based on plain fabric, standard width 1,40 m | 55"

LEATHER:

Body: 140 square feet

Piping: 50 square feet

DIMENSIONS

W: 100 cm | 39,4"

D: 88 cm | 34,6"

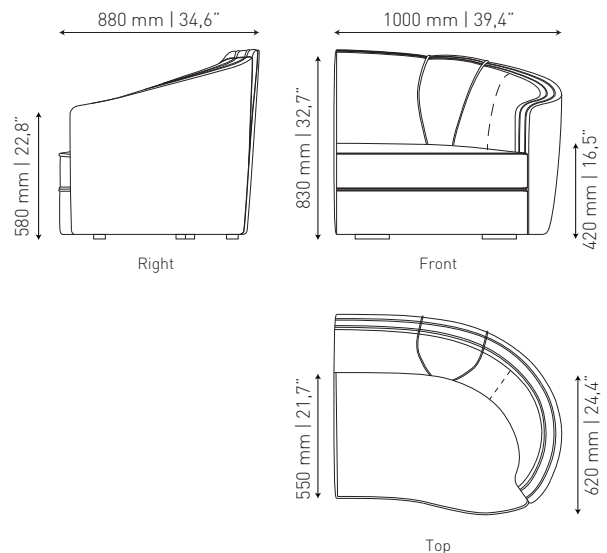
H: 83 cm | 32,7"

SH: 42 cm | 16,5"

SD: 62 cm | 24,4"

AH: 58 cm | 22,8"

Suitable for customization.



WEIGHT

29 kg | 63,9 lbs

VOLUME

0,73 m³ | 25,6 ft³

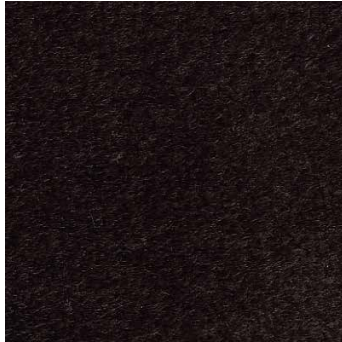
Packed (in reinforced carton case)

37 kg | 81,6 lbs

0,94 m³ | 33,2 ft³

FABRICS

Cotton Velvet
100% Cotton . Martindale 40.000



Chocolate



Pale Pink

Camel

Blue Grey

Teal

Emerald



Buttermilk

Saffron

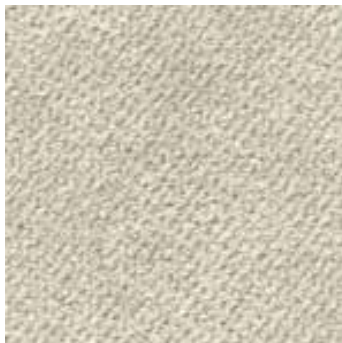
Red Casino

Lilac

Amethyst

more colours available

Trevira Velvet
100% Trevira CS . Martindale 50.000



Desert



Magnolia

Chocolate

Steel Blue

Teal

Moss



Emerald

Lime

Dark Red

Pale Pink

Antracite

more colours available

Twill FR
53,7% AC + 46,3% PL . Martindale 25.000



Sky



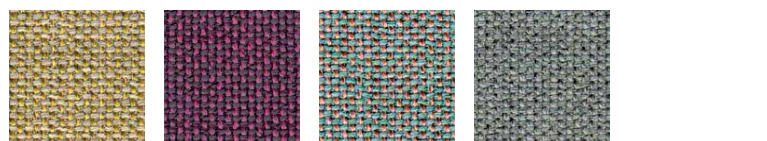
Magnolia

Desert

Taupe

Black

Teal



Lime

Raspberry

Lilac Green

Silver

FABRICS

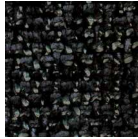
Bond Chenille
100% Polyester . Martindale 100.000



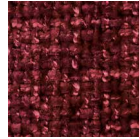
Snow



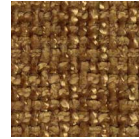
Antracite



Blue Grey



Chilli Pepper



Mustard



Emerald

Vivid Chenille
54% PL + 42% AC + 4% VI . Martindale 60.000



Saffron



Pure White



Warm Grey



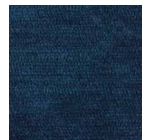
Light Grey



Cloud



Amethyst



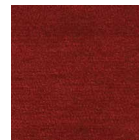
Navy



Emerald



Moss



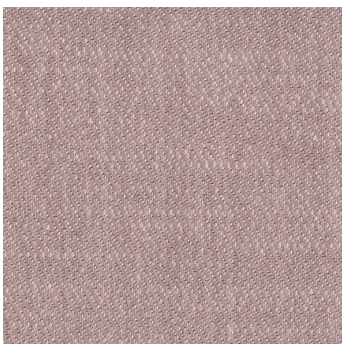
Tangerine Tango



Taupe

more colours available

Cotton Satin
68% PL + 32% CO . Martindale 40.000



Milkshake Pink



Desert



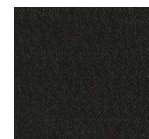
Warm Grey



Silver



Basalt



Antracite



Lavender



Aquamarine



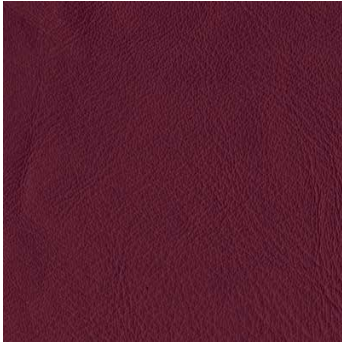
Mustard



Emerald

FABRICS

Leather
100% Leather . Dry/wet friction 50.000 cycles



Dark Ruby



Milk



Stone



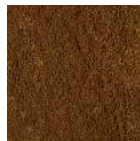
Black



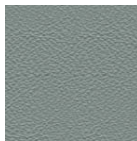
Burgundy



Asphalt



Hazelnut



Pale Green



Lavender

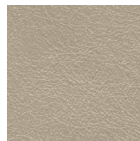


Light Grey

Classic Leather
100% Leather . Dry/wet friction 50.000 cycles



Sand



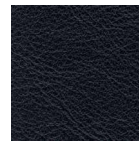
Cream



Dark Ruby



Burgundy



Black

Nubuck
100% Leather . Dry/wet friction 100/25 cycles



Sky



Desert



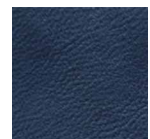
Taupe



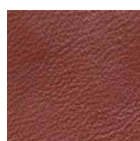
Antracite



Light Grey



Steel Blue



Burgundy

FABRICS

Bouclé
100% Polyethylene . Martindale 80.000



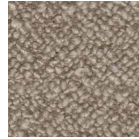
Sugar



Snow



Desert



Light Grey

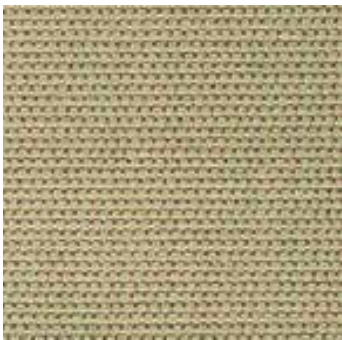


Antracite

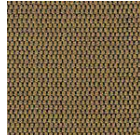


Black

Wild Silk
90% VI + 10% SI . Martindale 25.000



Honey



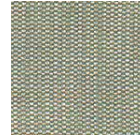
Bronze



Aquamarine



Magnolia



Silver